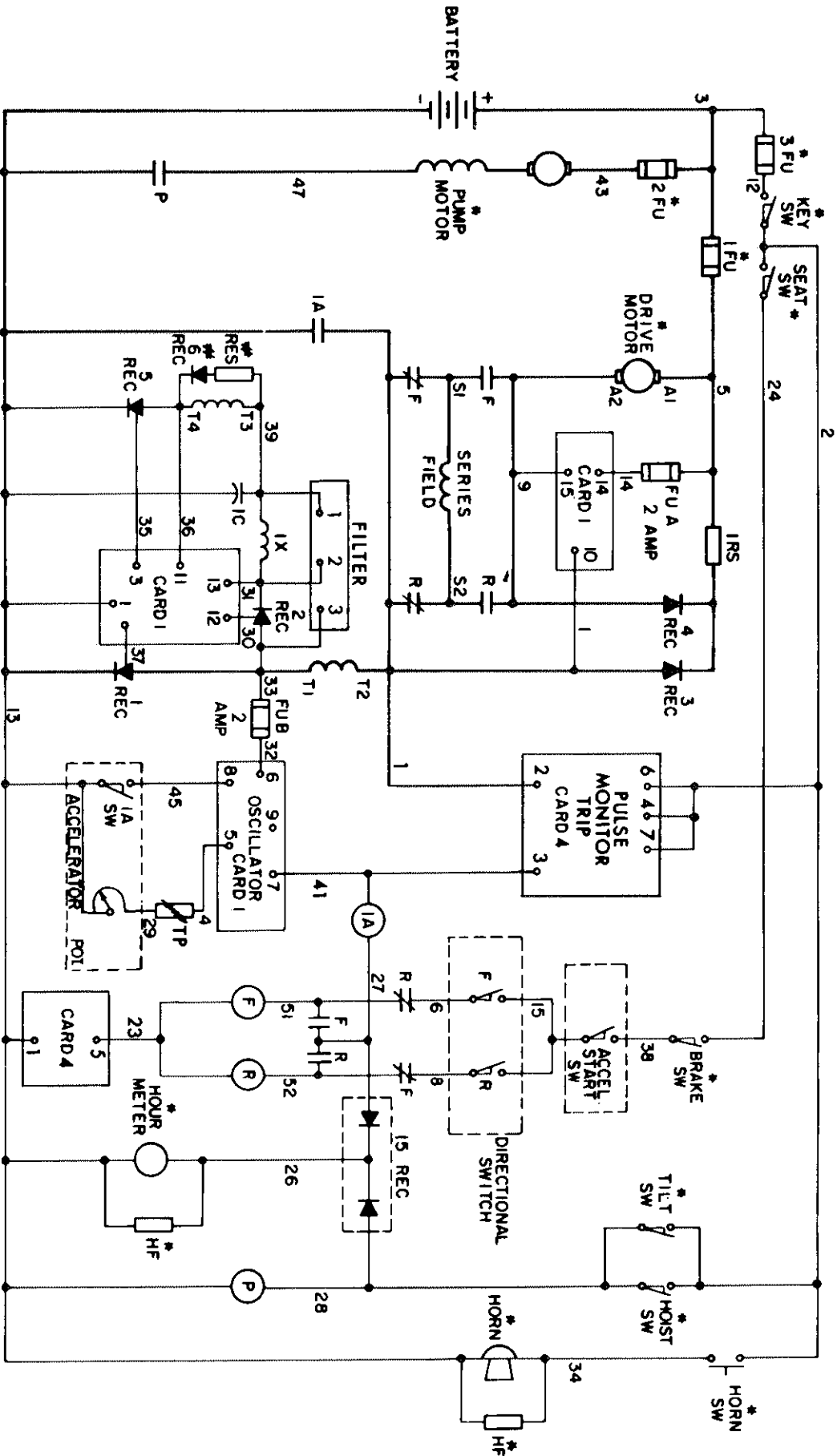


ELEMENTARY DIAGRAM



NOTE: A) BROKEN LINES DENOTE ACCESSORIES.
 B) * DENOTES CUSTOMER'S ITEMS.
 C) # USED ON 72 VOLTS.